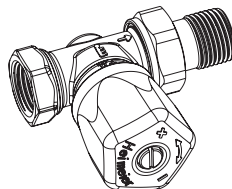
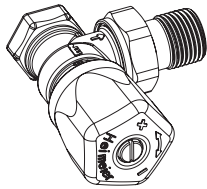
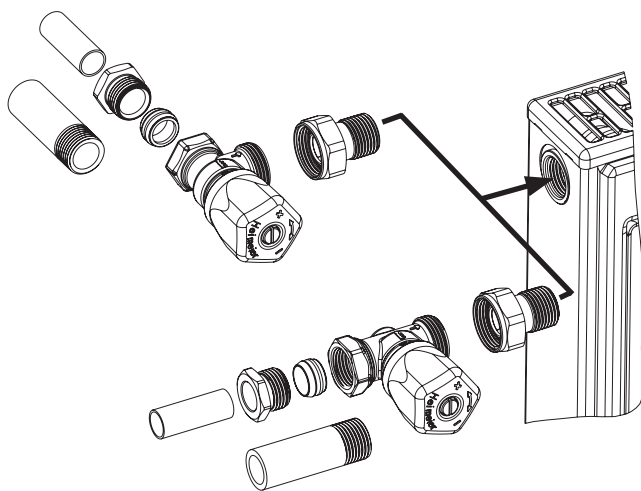


## Mikrotherm F

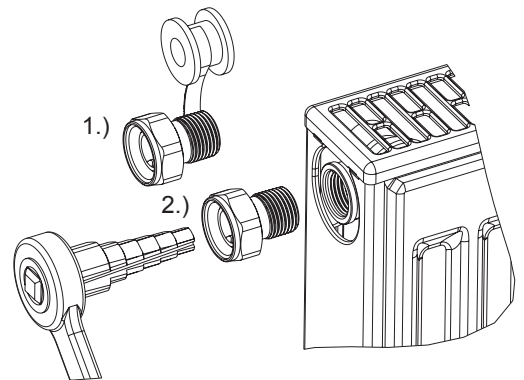


DN 10 3491-01.  
DN 15 3491-02.  
DN 20 3491-03.

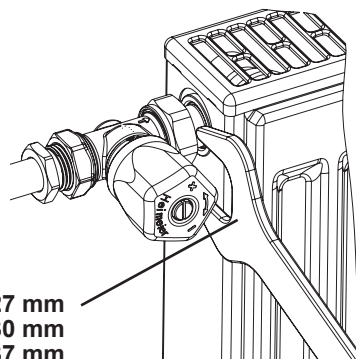
DN 10 3492-01.  
DN 15 3492-02.  
DN 20 3492-03.



1

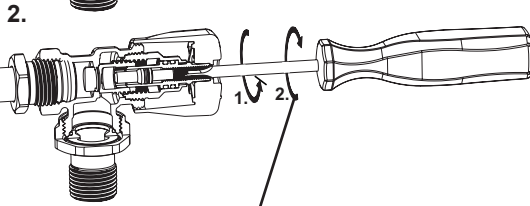
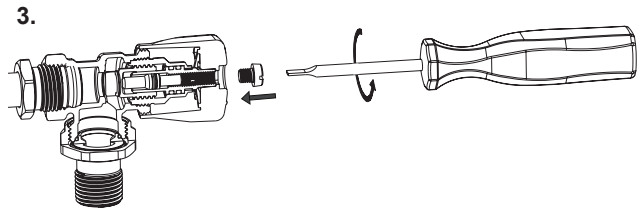
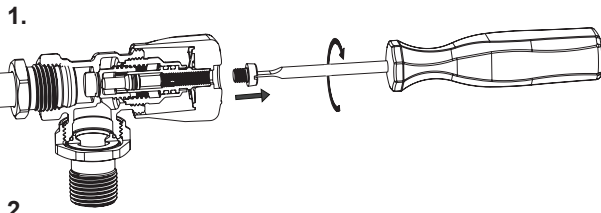


2

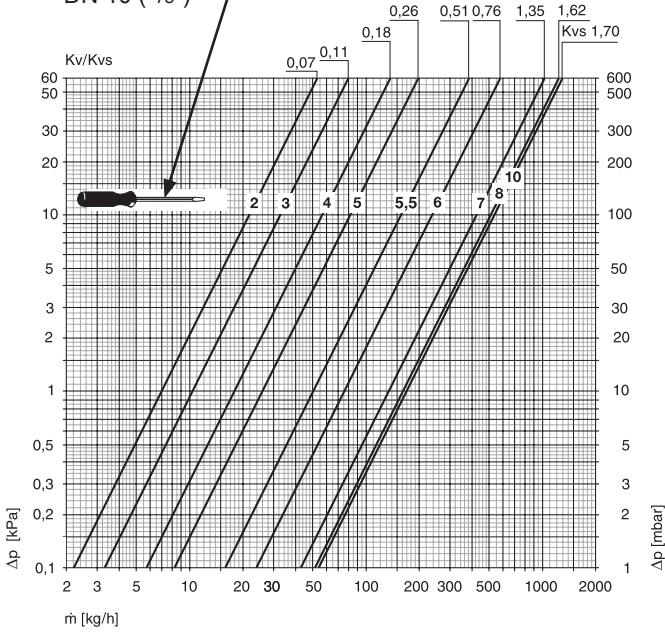


DN 10 → 27 mm  
DN 15 → 30 mm  
DN 20 → 37 mm

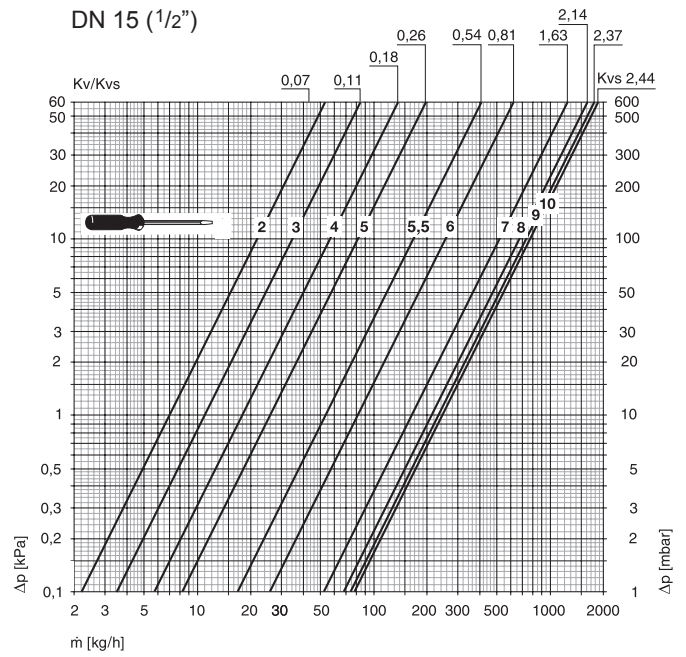
3



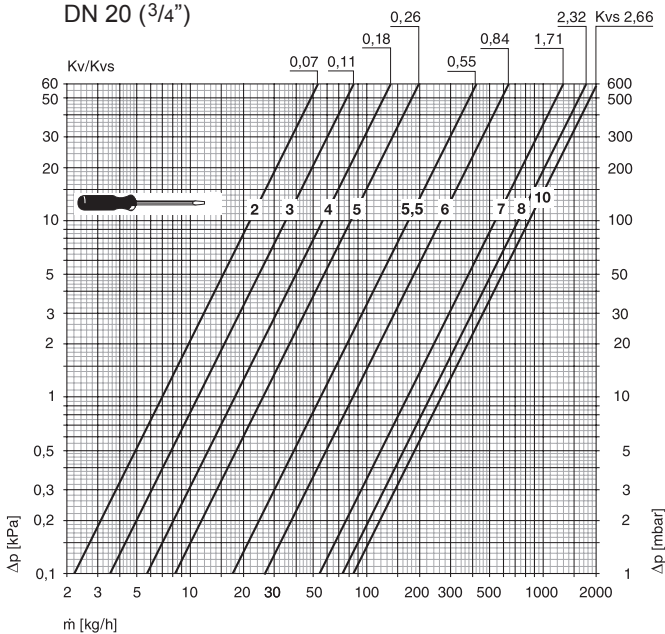
DN 10 (3/8")



DN 15 (1/2")



DN 20 (3/4")



Mikrotherm F	Kvs
DN 10 (3/8")	1,70
DN 15 (1/2")	2,44
DN 20 (3/4")	2,66

We reserve the right to introduce technical alterations without previous notice.