

## EMO

### Motorized proportional and three-point actuators



---

### Motorized proportional and three-point actuators

EMO 1 and EMO 3 are designed to be mounted on thermostatic valve bodies and are installed in heating, ventilation, and air conditioning systems in conjunction with corresponding controllers, e.g. Thermostat E. Even with strict requirements for precision or with process controlled systems with high severity, optimal results can be achieved.

---

### Key features

**Automatic stroke adjustment**

**Controllable with standard signals**

**Runs extremely quiet**

**Requires little power**

**Need not be acknowledged**

---

**Technical description –  
EMO 1 proportional  
actuator (no longer  
available for order)**

The EMO 1 proportional actuator is designed for connection to temperature controllers with constant control response, e.g. Thermostat E 1. Three different models are available to respond to the particular output signal and control task: Control voltage 0–10 V; 10–0 V; 10–2 V (d.c. voltage). The actuator, in conjunction with an external resistor, can also be connected to controllers with a current output signal (0–20 mA, 20–0 mA, 20–4 mA).

The maintenance-free actuator functions quietly and draws very little power.

The compact body is made of highquality plastic and covers the motor, gears, travel recognition and an integrated microprocessor control system.

It may be installed on TBV valves, thermostatic valve bodies and three-way valves. Adapters enable the mounting of thermostatic valve bodies of other manufacturers.

The electrical connection is made via a 3-core earthed cable.

---

**Technical description –  
EMO 3 and EMO 3/230  
three-point actuators**

The EMO 3 three-point actuator is designed for connection to temperature

controllers with a 24 V AC three-point output, e.g. Thermostat E 3.

The three-point actuator EMO 3/230 is designed for connection to temperature controllers with a 230 V AC three-point output, e.g. boiler control systems (mixing control with e.g. three-way mixing valves).

The maintenance-free actuator functions quietly and draws very little power.

The compact body is made of highquality plastic and covers the motor, gears, and magnetic coupling.

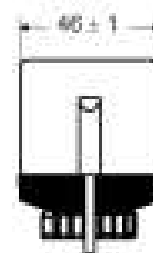
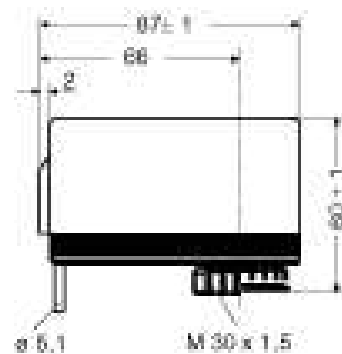
The magnetic coupling guarantees a non-wearing transmission of the motor torque as well as an optimized pressure power which is adapted to thermostatic valve bodies.

It may be installed on TBV valves, thermostatic valve bodies and three-way valves. Adapters enable the mounting of thermostatic valve bodies of other manufacturers.

The electrical connection is made via a 3-core earthed cable.

## Артикулы

### EMO 3 Three-point actuator



	<b>EAN</b>	<b>Article No</b>
EMO 3/24	4024052150113	1880-00.500
EMO 3/230	4024052525553	1881-00.500

<http://www2.imi-hydronic.com/ru/products-solutions/heimeier-thermostatic-control/--1/1/EMO/>