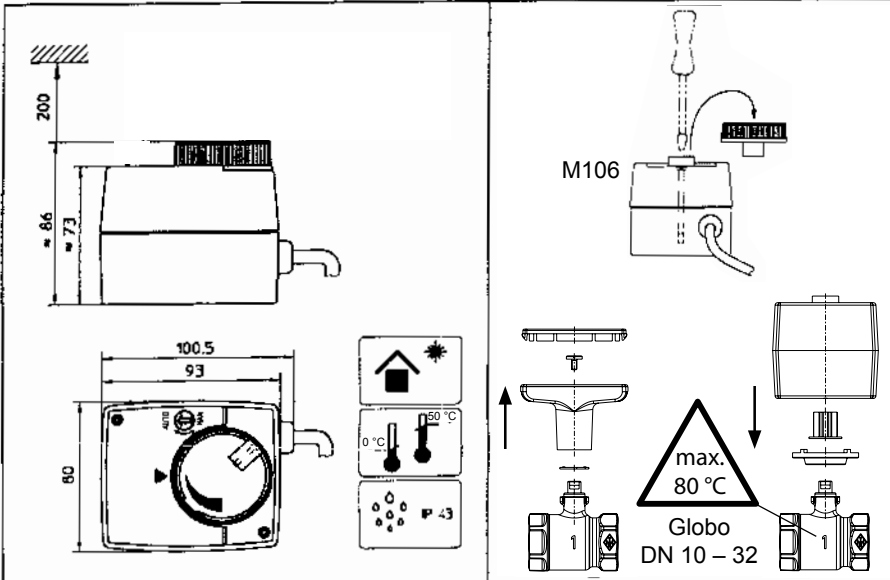


M106 – Globo DN 10 – 32

DE Stellantrieb
EN Actuator
FR Servomoteur
NL Actuator
IT Attuatore
ES Actuador
RU Привод
HU Működtető

HR Pokretač
EL Ενεργοποιητής
PL Siłownik
CS Pohon
SK Pohon
JP 作動装置
IS Actuatur
ZH 执行器

SL Pogon
RO Servomotor
LT Pavara
LV pievads
ET Tãituri
BG задвижващо устройство



Dimensions:
 - Total height: 200
 - Mounting height: 86
 - Body height: 73
 - Width: 100.5
 - Depth: 93
 - Mounting hole diameter: 80

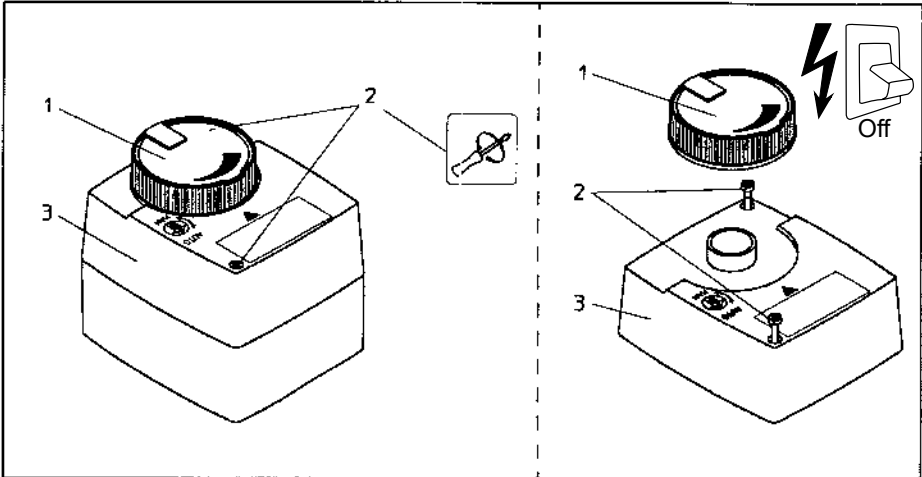
Operating Temperature:
 max. 80 °C
 Globo DN 10 – 32

Installation Diagrams:
 - Top view showing connection to a valve.
 - Side view showing the actuator mounted on a valve stem.
 - Detail of the actuator body and mounting bracket.

Symbol Legend:
 - M: Motor
 - Σ: Valve
 - W: Warning (crossed out)
 - AUTO: Automatic mode (up arrow)
 - MAN: Manual mode (down arrow)

Control Panel:
 - Features a rotary selector knob for AUTO/MAN.
 - Includes a temperature indicator and a pressure indicator (P 43).

Gedruckt auf chlorfrei gebleichtem Papier.



- 230 V AC
- +6% / -10%
- 50/60 Hz
- ±5%
- 3,5 VA
- 130s (50Hz/90°)
- 6 Nm

