

## Globo S

### Solar ball valve made of gunmetal for high operating temperatures



### Solar ball valve made of gunmetal for high operating temperatures

Globo S is used as a versatile shut-off element in for example, solar, industrial and district heating systems. Also for other applications requiring a higher operating temperature, as with solid fuel boilers Globo S is suitable. Thanks to the compact working radius of the operating toggle, the Globo S is the ideal valve for adjacent installation on distributors.

## Key features

**Body and ball made of corrosion-resistant gunmetal**

**Tubular body, ideal for continuous pipe insulation**

**Operating toggle outside the pipe insulation**

**Also available in Press version**

**DN 15-32 suitable for M106 actuator**

**Dimensions:**

Versions with female thread from DN 15 to DN 32 and with pump connection DN 25.

**Pressure class:**

PN 16

**Temperature:**

Permissible operating temperature TB -10 °C - 150 °C, intermittent to 170 °C.

**Material:**

The body and the ball are made of corrosion-resistant gunmetal.  
Ball with smooth straight bore.  
Maintenance-free spindle sealing by two O-rings made of EPDM.  
Ball sealing from pure PTFE.

**Media:**

Water or neutral fluids, water-glycol mixtures (0-50%).

**Actuators:**

DN 15 - 32 suitable for M106 actuators.  
Art.-No. 0600-00.700.

## Technical description

**Application:**

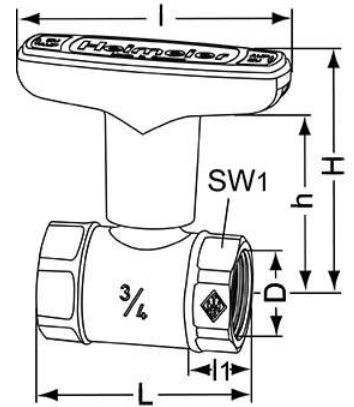
Solar, industrial and district heating systems.

**Functions:**

Shut-off:  
Operating toggle which can be dismantled, made of shock resistant plastic with small projection. Since the toggle stop is hidden, there is no danger of injury.

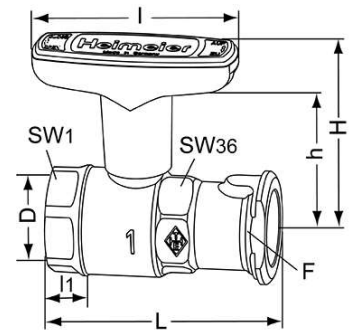
## Артикулы

### With female thread



DN	D	L	I	I1	H	Kvs	h	EAN	Article No
15	Rp 1/2	56,0	81	10,0	69,0	6,0	54,0	4024052601110	0645-02.000
20	Rp 3/4	58,5	81	11,0	72,0	14,0	55,5	4024052601219	0645-03.000
25	Rp 1	67,5	81	13,0	74,5	25,0	58,0	4024052601318	0645-04.000
32	Rp 1 1/4	76,5	81	13,5	78,0	42,0	61,5	4024052601417	0645-05.000

### With pump connection



DN	Pipe connection/flange	F	L	I	I1	H	h	Kvs	EAN	Article No
25	Rp1	1"	87,5	81	13,0	74,5	58,0	25,0	4024052775118	0646-04.000

SW1: DN 25 = 36 mm, DN 32 (1 1/4 x 1 1/4) = 41 mm, DN 32 (1 1/4 x 1) = 36 mm

<http://www2.imi-hydronic.com/ru/products-solutions/expert-system-components/-/-/globo-s/>